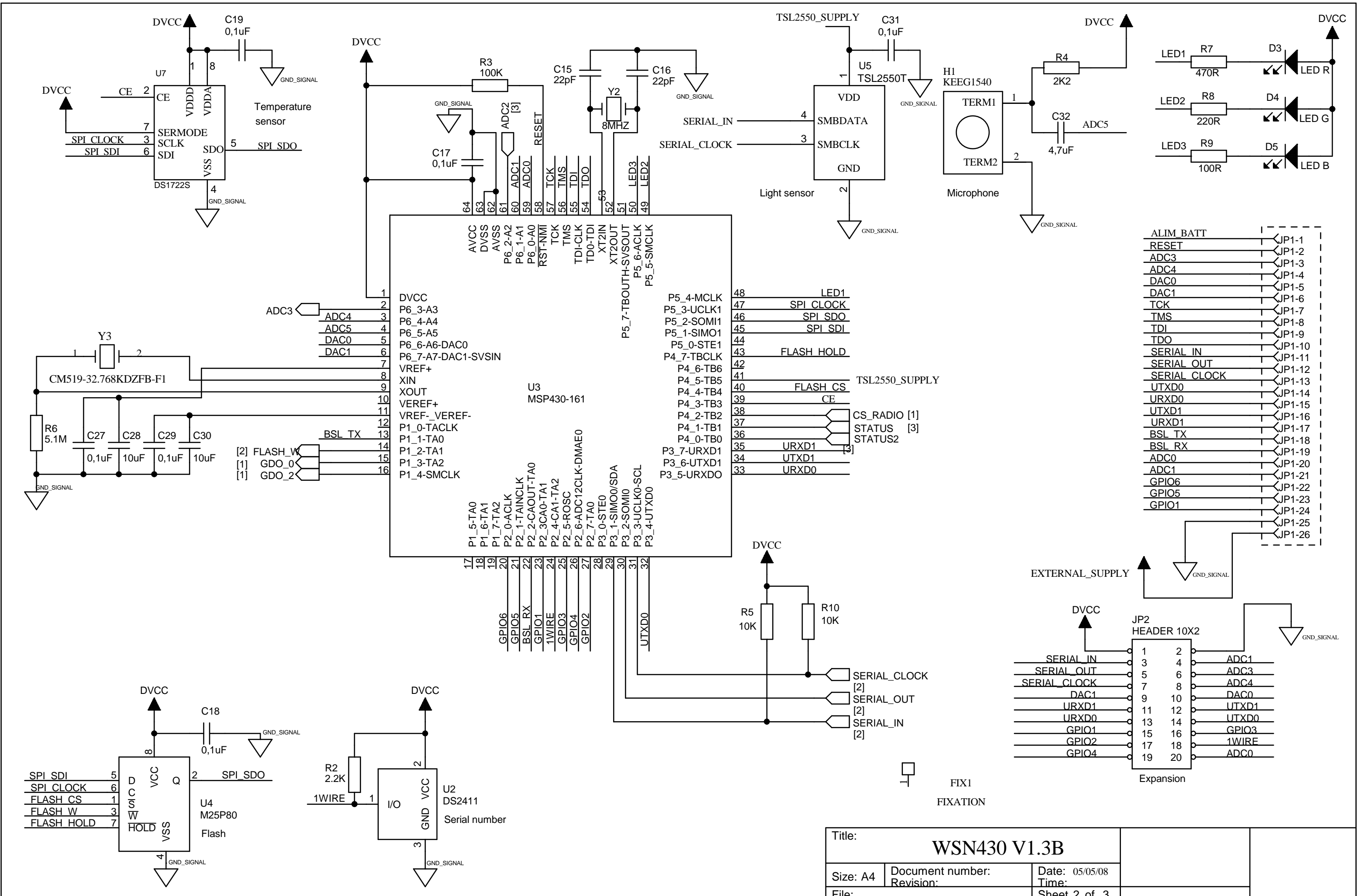
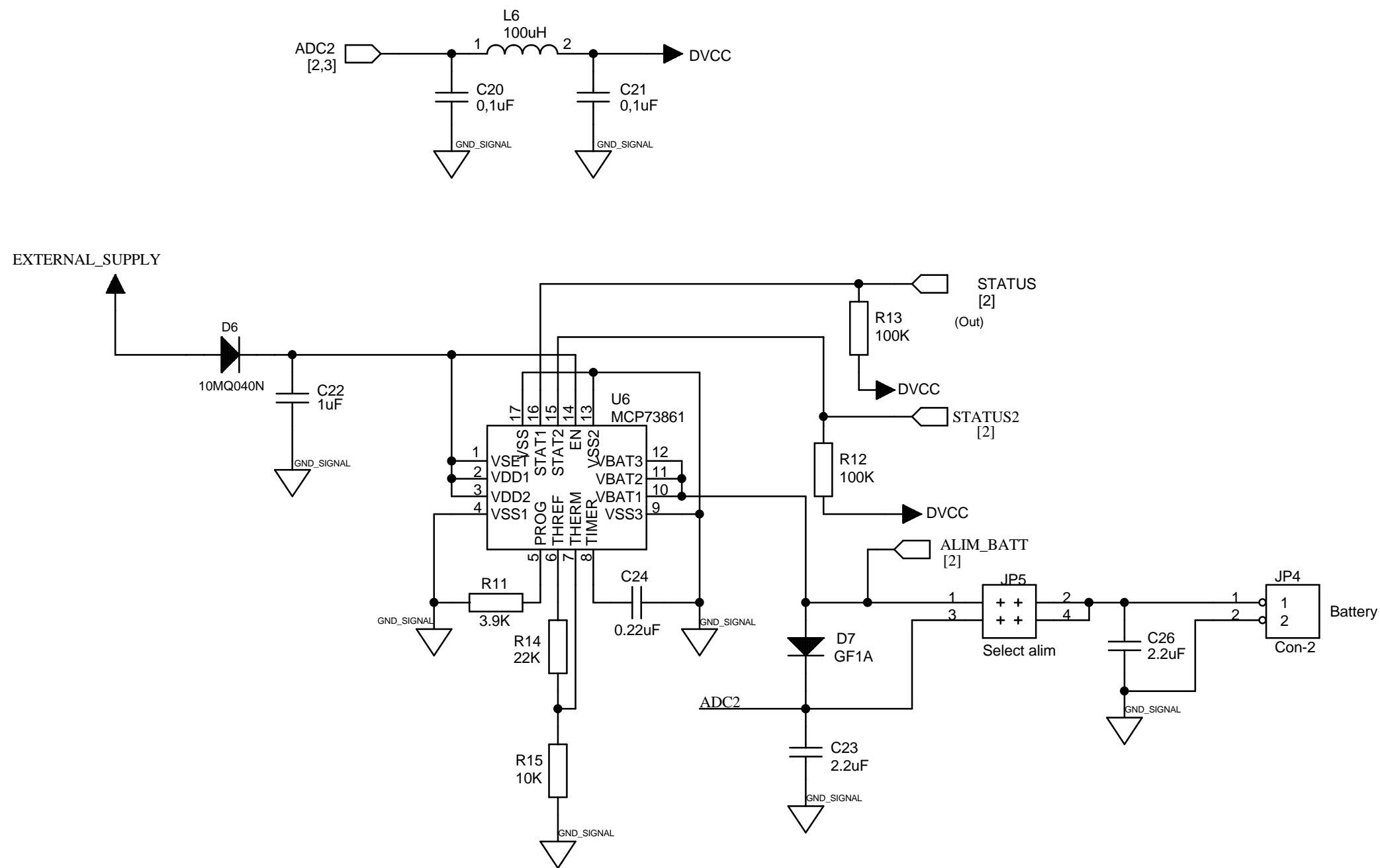


Title: WSN430 V1.3B		
Size: A4	Document number:	Date: 05/05/08
	Revision:	Time:
File:		Sheet 1 of 3



Title: WSN430 V1.3B		
Size: A4	Document number:	Date: 05/05/08
File:	Revision:	Time:
Sheet 2 of 3		



Title: WSN430 V1.3B		
Size: A4	Document number:	Date: 05/05/08
File:	Revision:	Time:
		Sheet 3 of 3